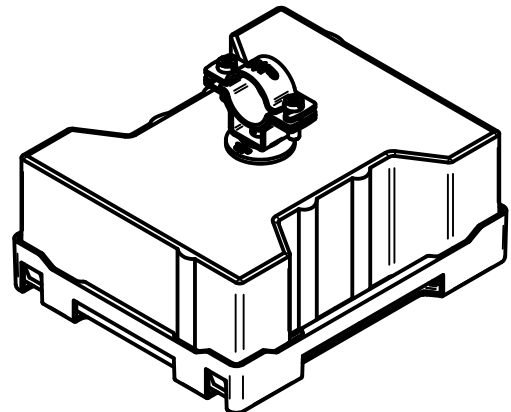
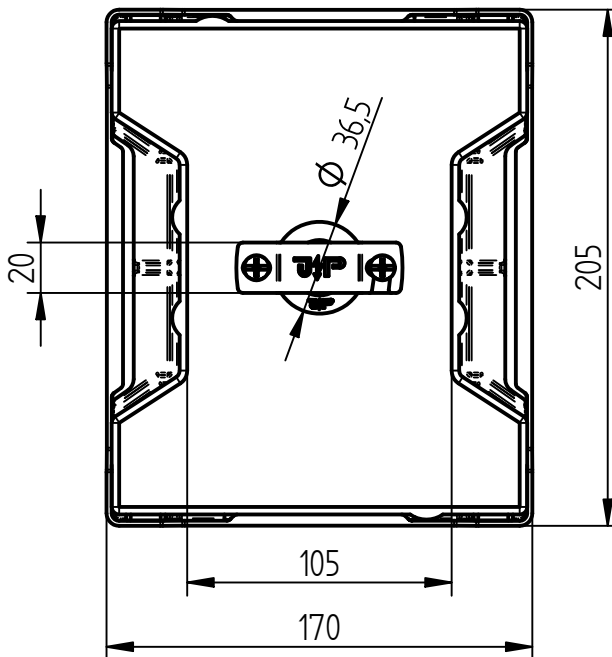
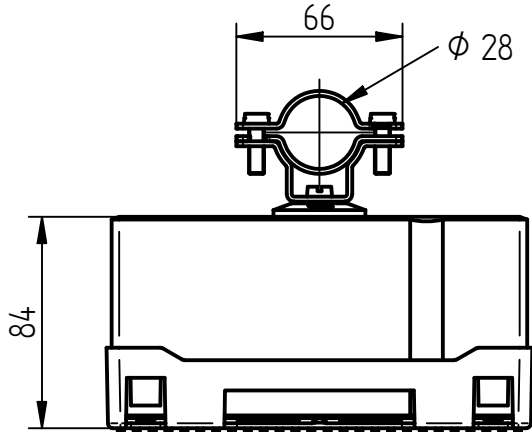


# Product Specification

**Ord.-No.:** **622 000**

**Specification:** Roof conductor holder for flat roofs  
5 kg, HVC-85 conductor holder V2A Ø 28mm

**Performance:** Roof conductor holder according to DIN EN 62561-4 for installing the J. Pröpster HVC-85 conductor to flat roofs. Type with plastic base plate and conductor fastener, frost-resistant and weatherproof, parts can be recycled separately.



Dimensions (length x width x thickness)	205 x 170 x 135 mm
Material of base	concrete
Material of plastic base plate	PE-HD, black, without plasticizer
Material of conductor fastener	stainless steel V2A
Weight of concrete base	5 kg
Height of conductor leading	103 mm
Fit of conductor fastener	Ø 28 mm
Standard reference	DIN EN 62561-4
Packing unit	1 unit